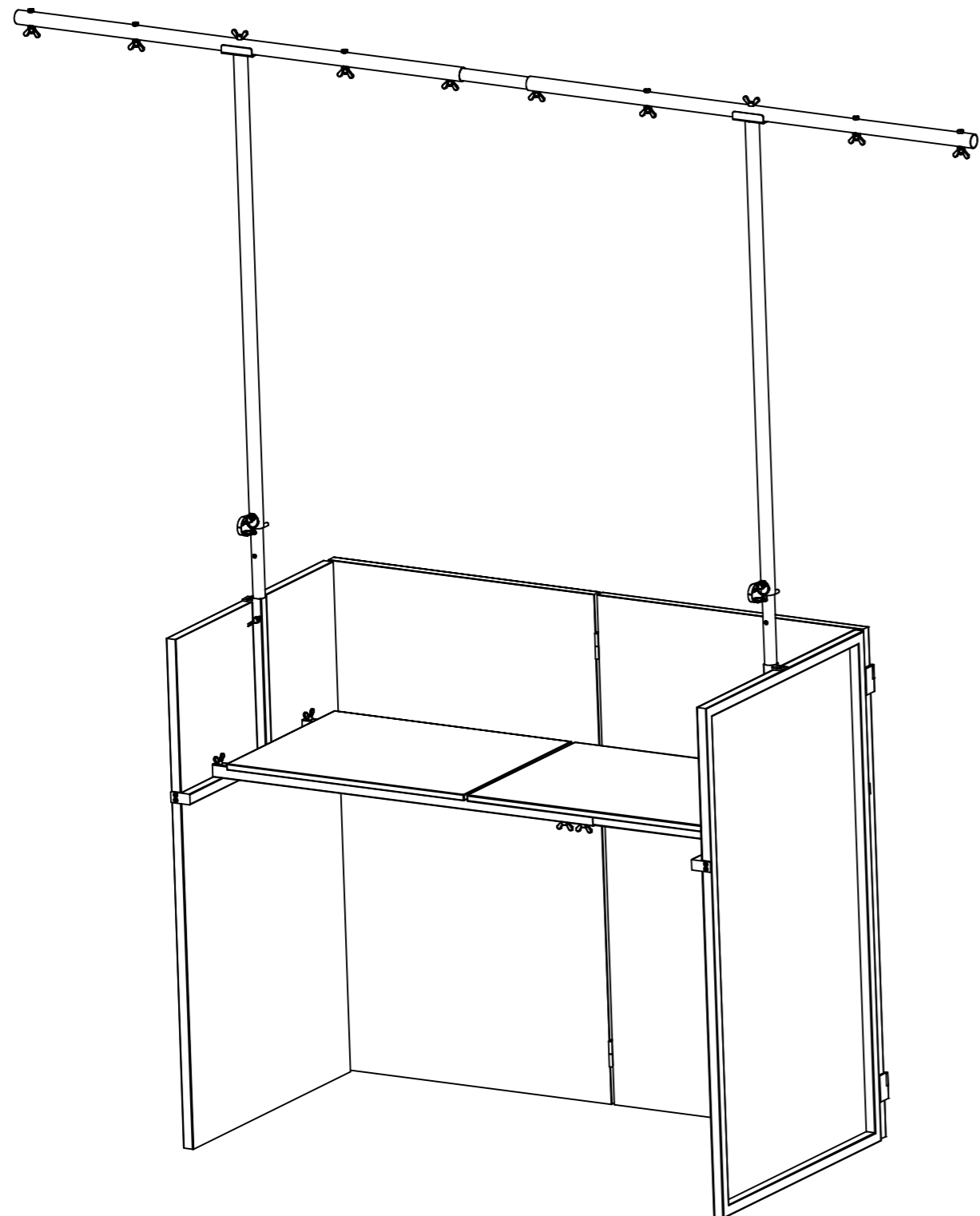




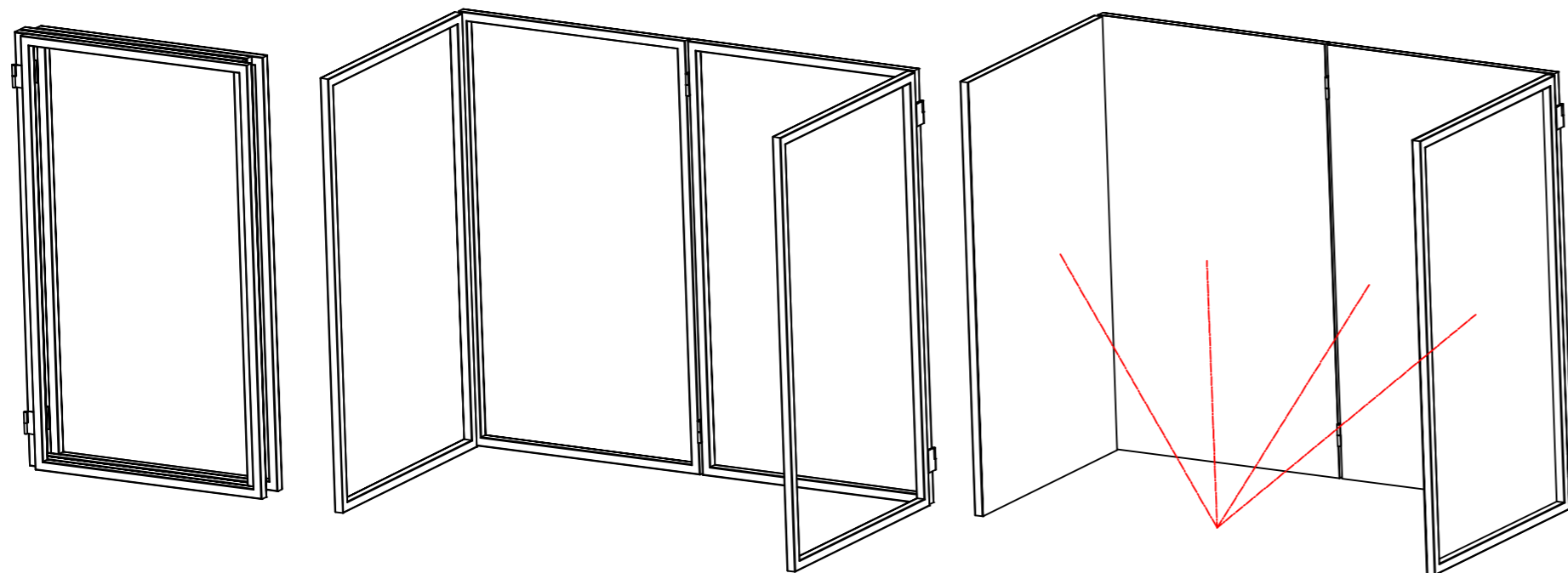
# VENTURA DJ BOOTH & LIGHTING BAR SYSTEM

ASSEMBLY INSTRUCTIONS



**A Mixware Brand**  
© 2022 Mixware, LLC. All Rights Reserved. Headliner and the Headliner logo are trademarks of Mixware, LLC in the U.S. and other countries. All specifications subject to change without notice.

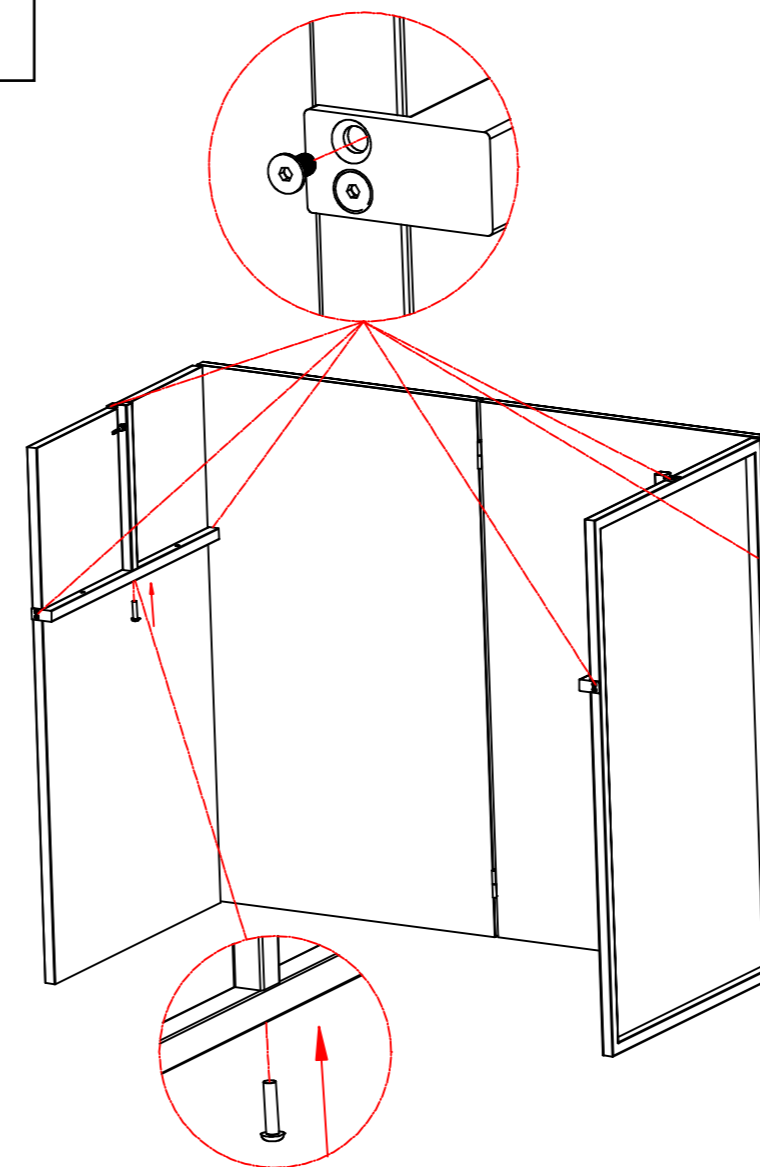
**1**



Remove all parts from the box. Unfold the frames and attach the included scrim to each panel. Start from the top Velcro strip and work your way down, making sure the scrim is lined up and nicely stretched.

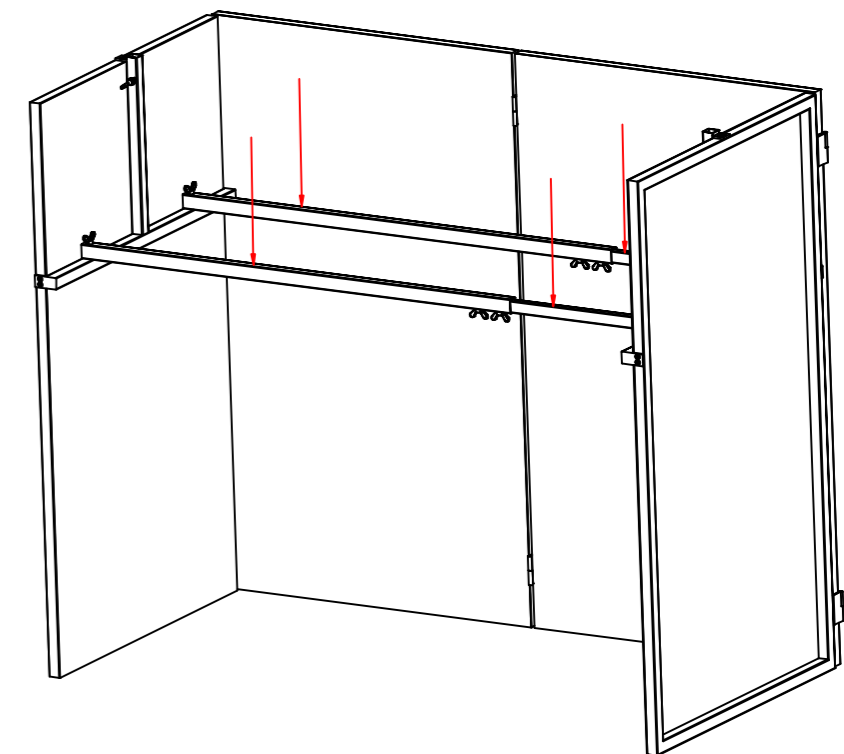
**NOTE:** All included hardware are already attached to their respective parts. There should be no loose hardware in the box.

**2**



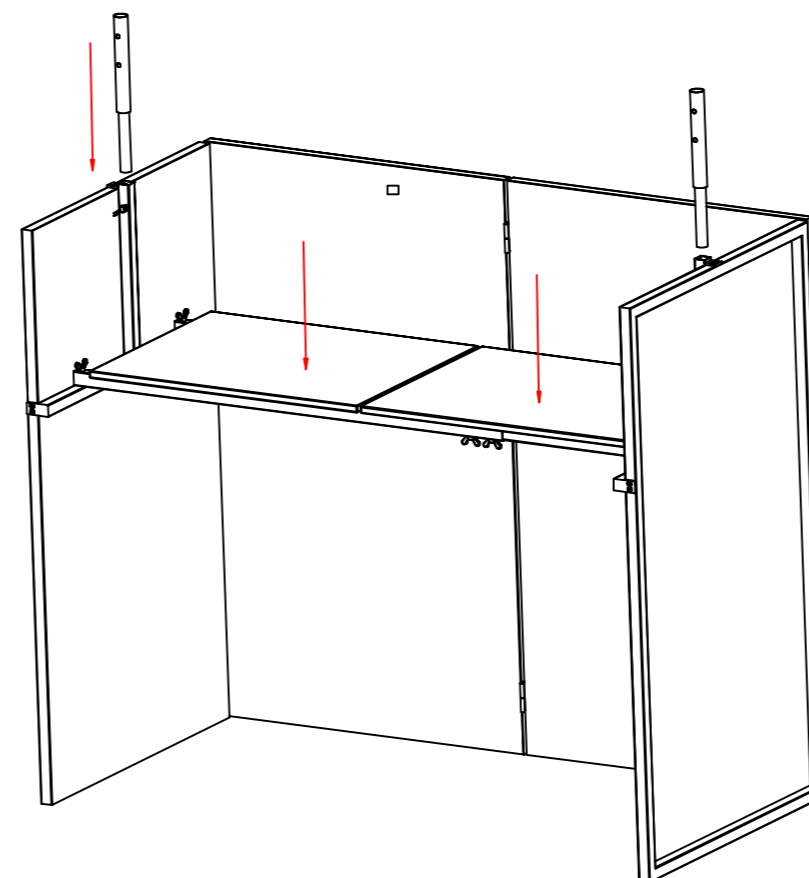
Attach the horizontal support bars to the side frames using the provided bolts. Then attach the lighting bar mount to the support bars, and to the top of the frames, as shown above. *This step uses 8 short bolts and 2 long bolts.*

**3**



Before placing the crossbars on the support bars, loosen the two extension wing bolts located on the bottom of the crossbars. Extend the crossbars, line up the mounting bolts to the holes on the support bars, and tighten to lock. Stick the included Velcro strips to the top surface of the outer tubes of the crossbars (if you stick Velcro on the inner tubes, you won't be able to retract the crossbars).

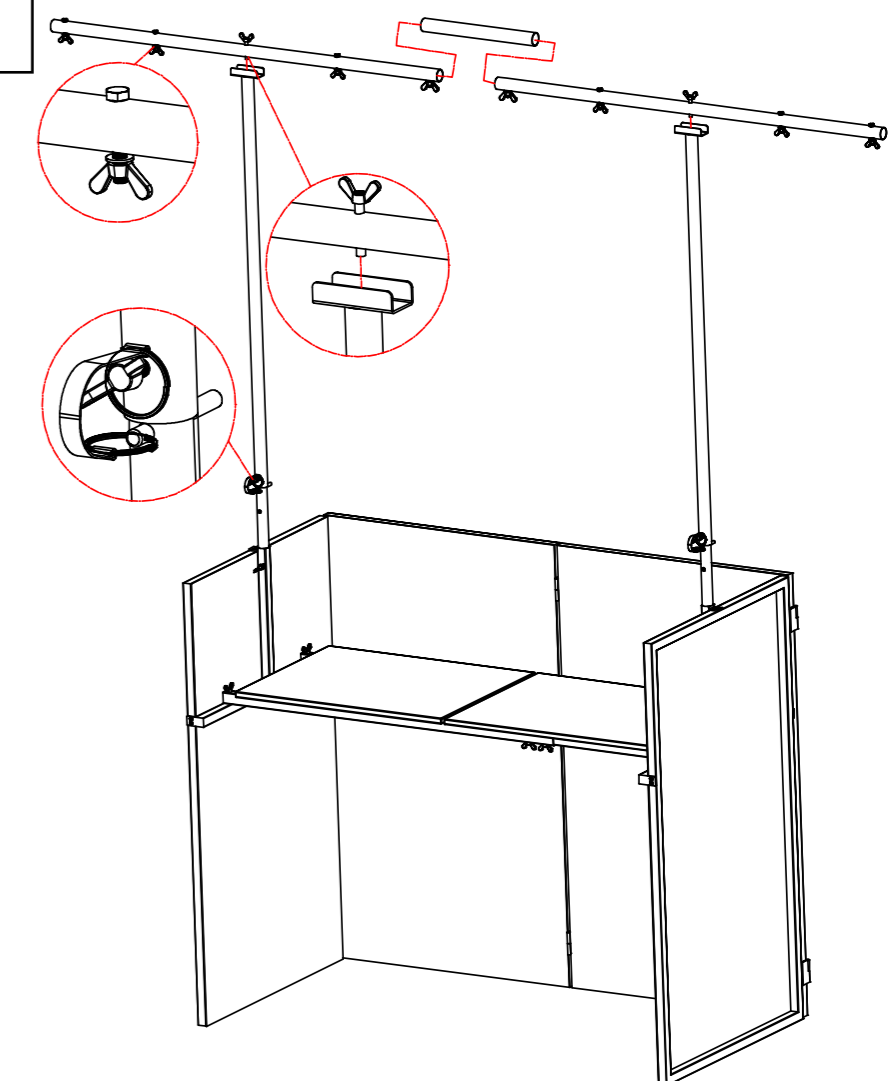
**4**



Place the counter-tops on the crossbars. Your work surface is now ready.

Start the lighting bar assembly by dropping the two short adapters into the lighting bar mounts and tighten the bolts.

**5**



To complete the assembly, place the lighting bar legs into the adapters, and mount the T-bars to the top of the legs. The center connector can be used to form a single lighting bar if desired. Use the support pins to raise the lighting bar to the desired height. Secure the pin to the wing bolt using the key ring.