

MOD RISER

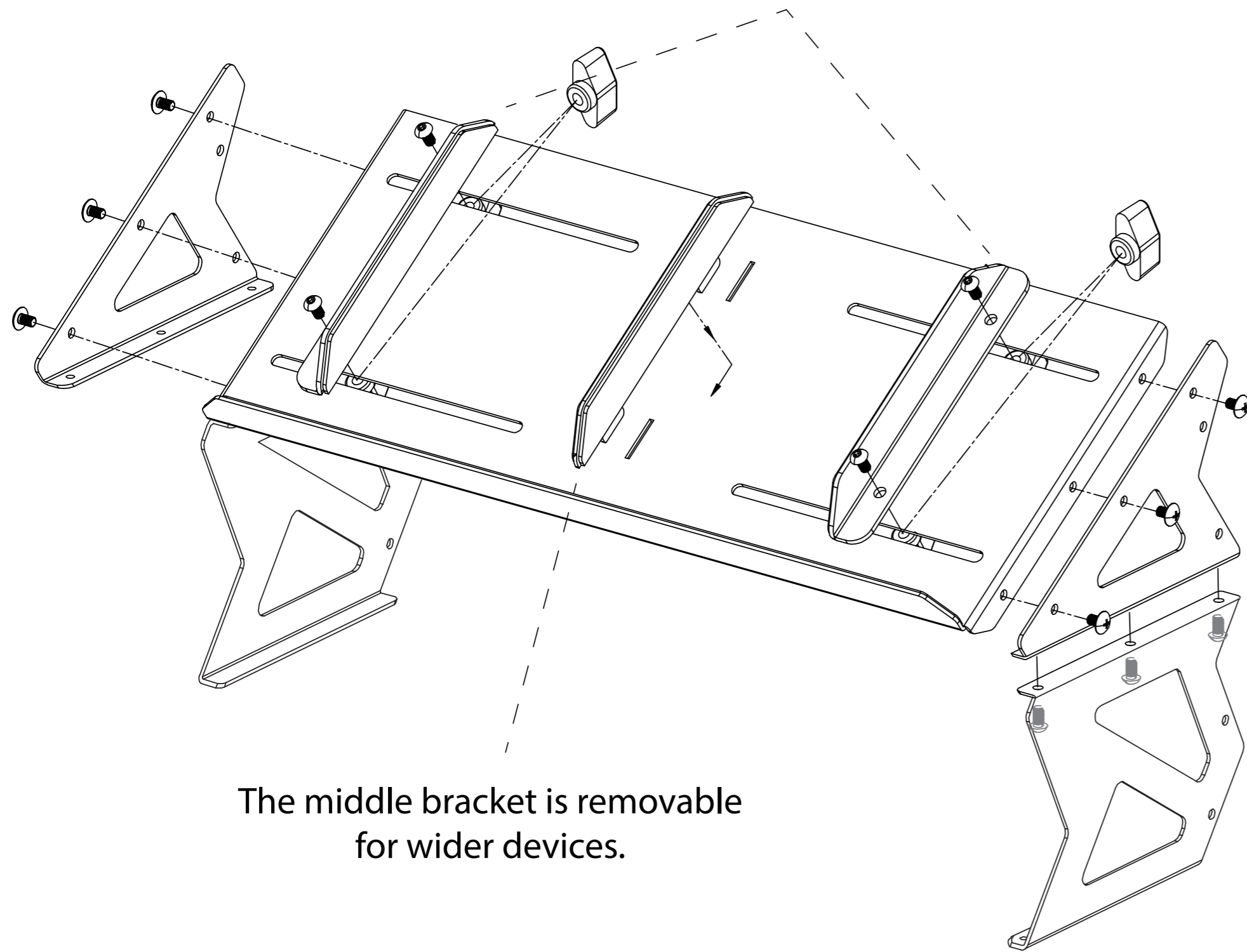
DESKTOP PRODUCTION STAND

SKU: HL22051

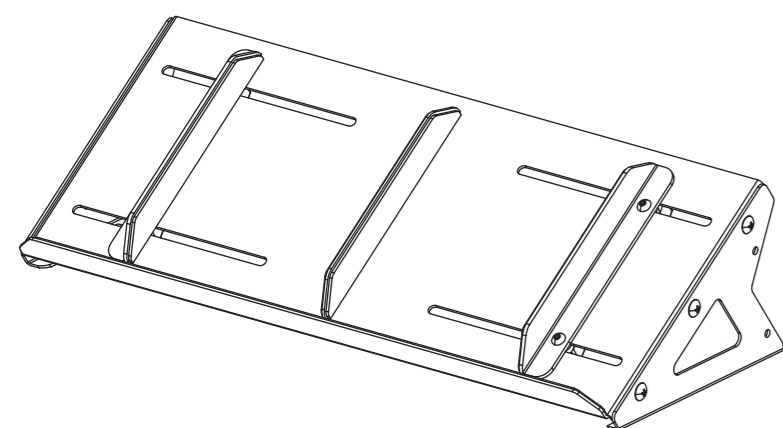
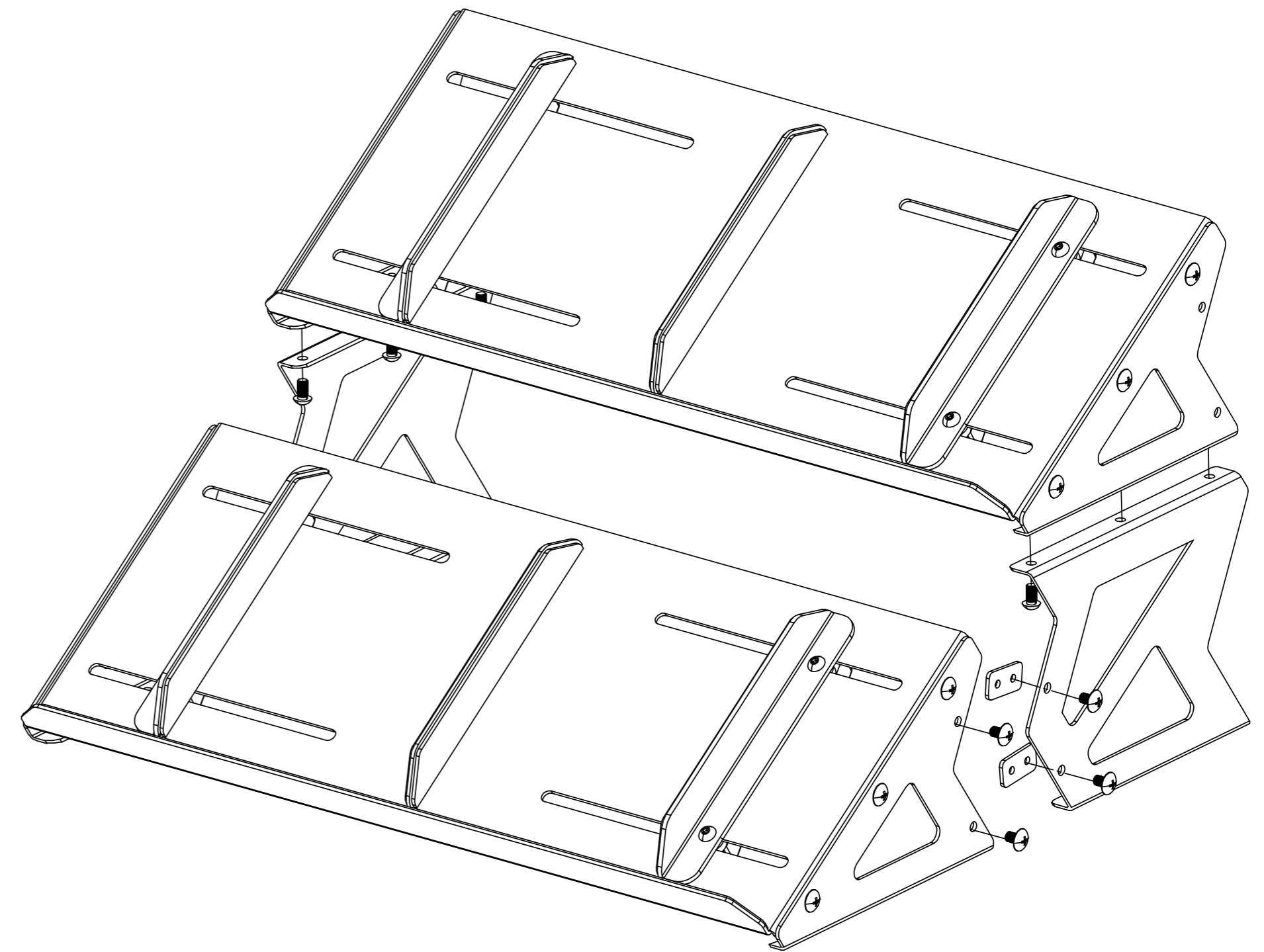
ASSEMBLY INSTRUCTIONS

Assemble the stand as shown in the picture above. Place the adhesive EVA pads on the brackets for additional protection for your gear.

Reverse direction for additional width.
Caution: Bolts require additional bottom clearance.



Mod Riser can be used with Mod Base to create a 2-tier desktop stand. To assemble the two stands together, reverse the direction of the legs and use the included joiner plates to secure the stands.



MOD BASE DESKTOP PRODUCTION STAND

SKU: HL22050

Available Separately

Headliner
LOS ANGELES

HEADLINER-LA.COM