

MOD BASE

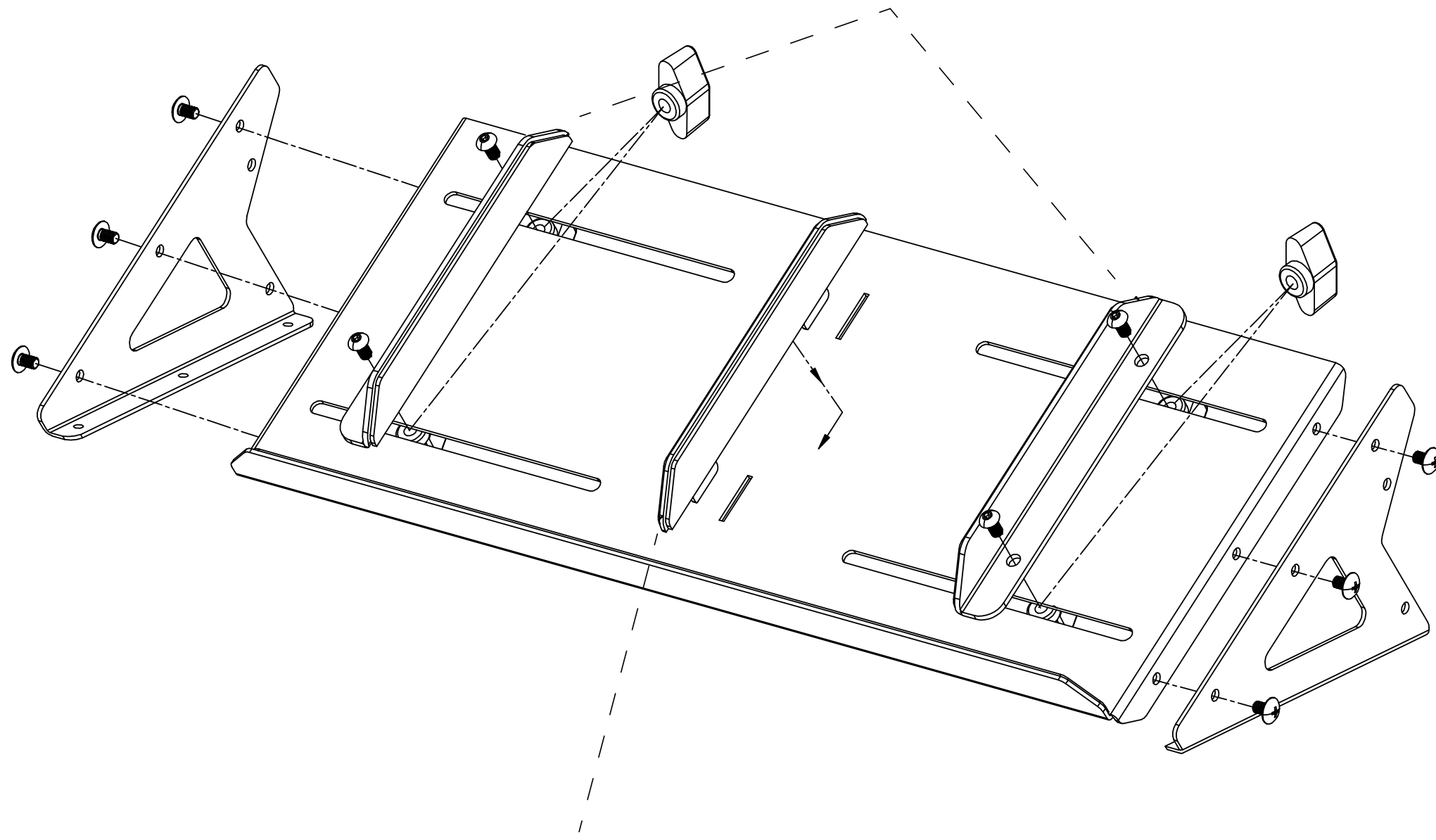
DESKTOP PRODUCTION STAND

SKU: HL22050

ASSEMBLY INSTRUCTIONS

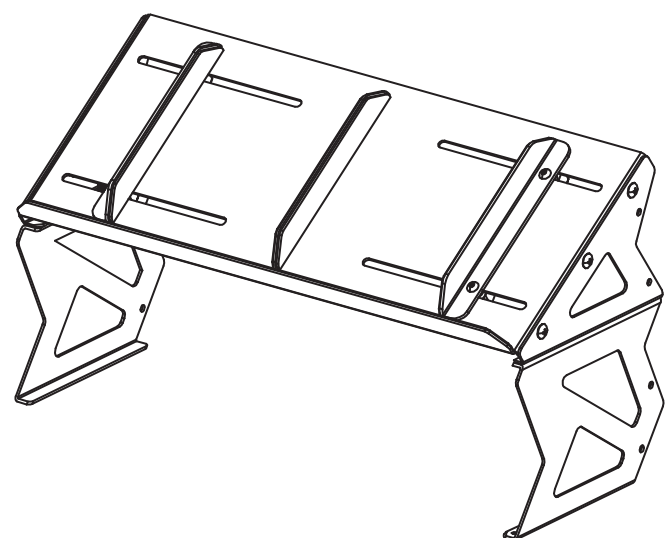
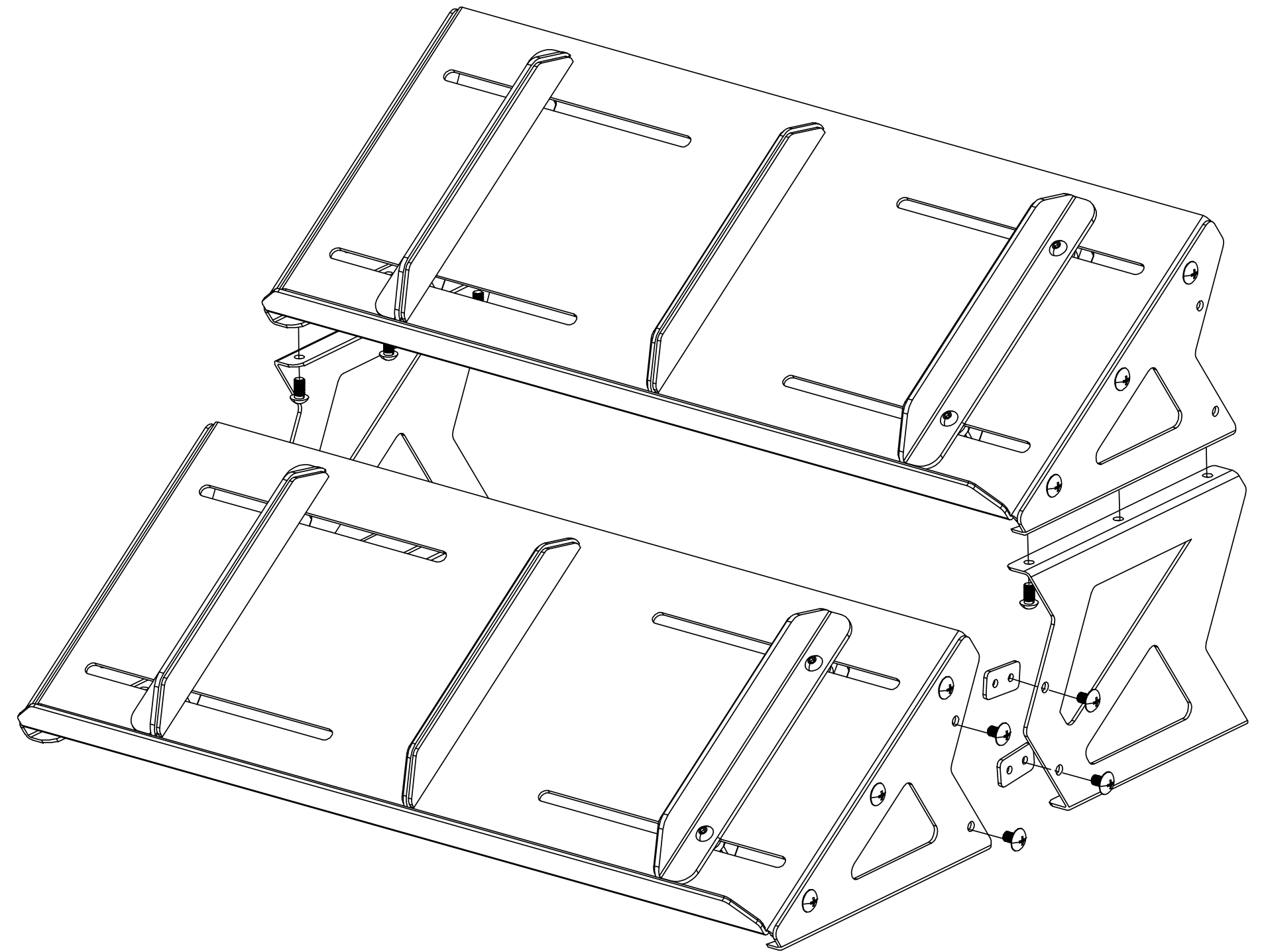
Assemble the stand as shown in the picture below. Place the adhesive EVA pads on the brackets for additional protection for your gear.

Reverse direction for additional width.
Caution: Bolts require additional bottom clearance.



The middle bracket is removable for wider devices.

If using Mod Base and Mod Riser stands together, assemble as per the picture below. The joiner plates are included with Mod Riser.



MOD RISER DESKTOP PRODUCTION STAND

SKU: HL22051

Available Separately

Headliner
LOS ANGELES

HEADLINER-LA.COM